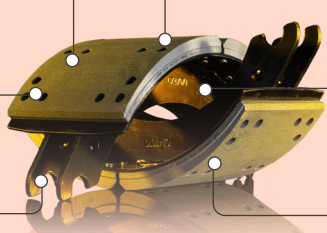




# QUICK REFERENCE GUIDE

www.gold-force.com

## COMMON SCHOOL BUS FOUNDATION BRAKES



Ceramic friction

Brand new E-coated steel


NO CORES

Premium hardware included

Lifetime rust-jacking warranty

200-250° f cooler operating temperatures

Significantly less wear rates



Excellent heat dissipation for longer brake life

Minimum 3.4 % high carbon grey iron

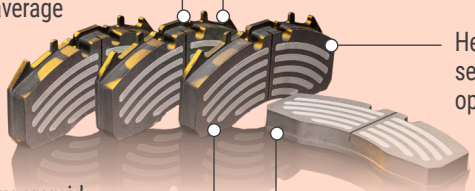
Computer balanced

35,000 psi tensile strength

- 059U90-6N OR 059U93-6N SHOE KIT WITH A GFBD3721AB 15 X 4 FRONT DRUM
- 098U90-6N OR 098U93-6N SHOE KIT WITH A GFBD3710B 16.5 X 5 FRONT DRUM
- 046U90-6N OR 046U93-6N KIT WITH A GFBD3600AB DRUM OR THE INTERNATIONAL GFBD3757B REAR DRUM

\*U80 and U83 are also available with WISDOM® drums, please reach out to us for more information.

## COMMON SCHOOL BUS AIR DISC PRODUCTS



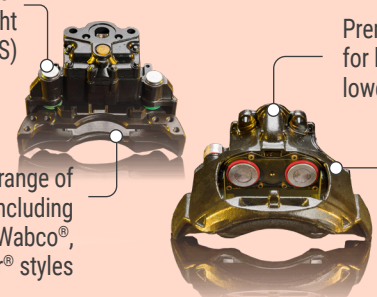
Less pad and rotor wear vs. industry average

Proprietary aramid friction formula

14,000 ft.lb. torque for fast and safe stops

Heavy and severe duty options

22% shorter stopping distances vs. RSD



New or reman outright (NO CORES)

Wide range of applications, including Bendix®, Wabco®, and Meritor® styles

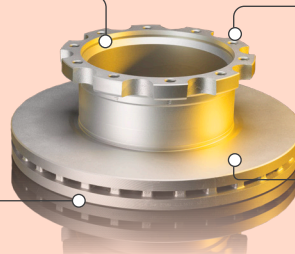
Premium quality for long life and lowest cost per mile

Complete with carriers/ push plates

## INTERNATIONAL, BLUE BIRD AND THOMAS BUILT

### EQUIPPED WITH BENDIX ADB22X CALIPER

- FRONT & REAR PADS - GFP1369KV
- SEVERE DUTY AVAILABLE - GFP1369SD
- VISIT GOLD-FORCE.COM TO CROSS OVER THE ROTOR AND CALIPERS FOR THE RIGHT MATCH



High carbon grey iron

Precision mill balanced

Patented GEOMET® corrosion protection

Excellent heat dissipation for longer brake life

# COMMON SCHOOL BUS HYDRAULIC DISC PRODUCTS

## THOMAS BUILT

### EQUIPPED WITH 3000 BOSCH 66MM CALIPER 2016-2021

- FRONT & REAR PADS - GFP786ACETN\*
- FRONT ROTORS - GFR54771G
- REAR ROTORS - GFR6178AMG
- CALIPERS - GFC55849

### EQUIPPED WITH 3000 BOSCH 66MM CALIPER 2004-2015

- FRONT & REAR PADS - GFP786ACETN\*
- FRONT ROTORS - GFR54773G
- REAR ROTORS - GFR6178AMG
- CALIPERS - GFC55849

### EQUIPPED WITH 3000 BOSCH 73MM CALIPER 2016-2021

- FRONT & REAR PADS - GFP786CETK\*
- FRONT ROTORS - GFR54771G
- REAR ROTORS - GFR6178AMG
- CALIPERS - GFC55850

### EQUIPPED WITH 3000 BOSCH 73MM CALIPER 2004-2015

- FRONT & REAR PADS - GFP786CETK\*
- FRONT ROTORS - GFR54773G
- REAR ROTORS - GFR6178AMG
- CALIPERS - GFC55850

## IC/INTERNATIONAL

### EQUIPPED WITH CE MERITOR QUADRAULIC CALIPER

- FRONT & REAR PADS - GFP769CE\*
- FRONT & REAR ROTORS - GFR19996G
- CALIPERS - GFC146840123, 4 HOLE
- CALIPERS - GFC137067, 6 HOLE

### EQUIPPED WITH 3000 BOSCH 66MM CALIPER

- FRONT & REAR PADS - GFP786ACETN\*
- CALIPERS - GFC55849

### EQUIPPED WITH 3000 BOSCH 73MM CALIPER

- FRONT & REAR PADS - GFP786CETK\*
- CALIPERS - GFC55850

### ROTOR OPTIONS

- GFR54773G - 10 HOLE, 3.20" H
- GFR54771G - 10 HOLE, 4.44" H
- GFR54770G - 6 HOLE, 3.50" H
- GFR54769G - 5 HOLE, 3.50" H

## BLUE BIRD

### VISION, ALL AMERICAN/MERITOR QUADRAULIC CALIPER

- FRONT & REAR PADS - GFP769CE
- FRONT ROTORS - GFR54775G
- REAR ROTORS - GFR54365G
- CALIPERS - GFC146840123, 4 HOLE
- CALIPERS - GFC137067, 6 HOLE

### NOTES

- GFP769SD - SEVERE DUTY
- GFP786ACETN - HEAVY DUTY
- GFP786ASDTN - SEVERE DUTY
- GFP786CETK - HEAVY DUTY
- GFP786SDTK - SEVERE DUTY

GoldForce is a registered trademark of SilverbackHD Inc. Any references to company names or trademarks are solely for identification and cross-reference purposes and imply no rights of ownership by SilverbackHD Inc.

